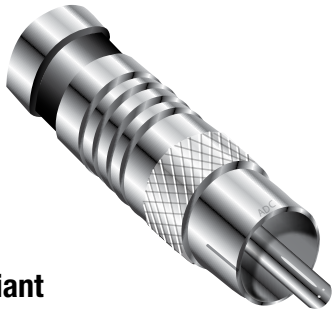


RCA Type Connectors

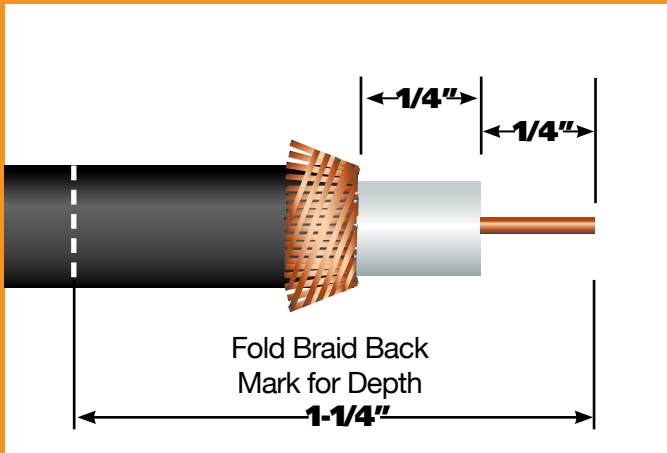


RoHS Compliant



PART NO.	DESCRIPTION	STRIP TOOL	TERM. TOOL
R1C2D	RCA Male Compression RG 59	ATL-6-11	ATL8808

Strip Dimensions:



CONSTRUCTION DETAILS

- Connector Body: Brass
- Plating: Nickel
- Contact: Gold
- Plating: 10M"
- Insulator: Delrin
- Gasket Seal: Rubber
- Coupling Types: Push-on
- Termination Type: Compression

ELECTRICAL DETAILS

- Frequency: 0 to 100 MhZ
- Impedance: 75 ohm
- VSWR Max: 2:1
- Insertion Loss: 2db
- MAX Voltage: 1000VDC
- Temperature Range: -60°C to 80°C

MECHANICAL/ENVIRONMENTAL

- Coupling Retention: 10 LBS
- Cable Retention: 40 LBS
- Resistance: N/A